

## EOLP-BI1696-16ADXL & EOLP-BI1696-16DAXL

Tx: 1270nm/Rx: 1330nm BIDI SFP+ Transceiver for 10GbE

Tx: 1330nm/Rx: 1270nm BIDI SFP+ Transceiver for 10GbE

RoHS 6 Compliant

### Features

- ◆ Operating data rate up to 11.3Gbps
- ◆ Two types:
  - A: 1270nm DFB Transmitter/ 1330nm Receiver
  - B: 1330nm DFB Transmitter/ 1270nm Receiver
- ◆ Power budget 16dB at least
- ◆ Single 3.3V Power supply and TTL Logic Interface
- ◆ LC Connector Interface
- ◆ Hot Pluggable
- ◆ Power Dissipation < 1.5W
- ◆ Operating Case Temperature
  - Standard: 0°C~+70°C
  - Industrial: -40~+85°C
- ◆ Compliant with SFP+ MSA Specification SFF-8431
- ◆ Compliant with IEEE 802.3ae 10GBASE-ER
- ◆ Compliant with IEEE 802.3ae 10GBASE-EW
- ◆ Compliant with SFF-8472



### Applications

- ◆ 10GBASE-ER at 10.3125Gbps
- ◆ 10GBASE-EW at 9.953Gbps
- ◆ OBSAI rates 6.144 Gb/s, 3.072 Gb/s, 1.536 Gb/s, 0.768Gb/s
- ◆ CPRI rates 9.830 Gb/s, 7.373Gb/s, 6.144 Gb/s, 4.915 Gb/s, 2.458 Gb/s, 1.229 Gb/s, 0.614Gb/s
- ◆ Other Optical Links

### Ordering information

Part No.	Data Rate	Laser	Temp.	Power budget	Optical Interface	DDMI
EOLP-BI1696-16ADL* <small>Note1</small>	Up to 11.3Gbps	1270nm DFB	Standard	16dB	LC	YES
EOLP-BI1696-16DAL* <small>Note1</small>	Up to 11.3Gbps	1330nm DFB	Standard	16dB	LC	YES
EOLP-BI1696-16ADIL	Up to 11.3Gbps	1270nm DFB	Industrial	16dB	LC	YES
EOLP-BI1696-16DAIL	Up to 11.3Gbps	1330nm DFB	Industrial	16dB	LC	YES

Note1: Standard version

## Regulatory Compliance<sup>\*Note2</sup>

Product Certificate	Certificate Number	Applicable Standard
TUV	R50135086	EN 60950-1:2006+A11+A1+A12
		EN 60825-1:2007
		EN 60825-2:2004+A1+A2
UL	E317337	UL 60950-1
		CSA C22.2 No. 60950-1-07
EMC CE	AE 50285865 0001	EN 55022:2010
		EN 55024:2010
CB	JPTUV-049251	IEC 60825-1
		IEC 60950-1
FCC	WTF14F0514437E	47 CFR PART 15 OCT., 2013
FDA	1331340-000	CDRH 1040.10
ROHS	RHS01G006464	2011/65/EU

Note2: The above certificate number updated to June 2014, because some certificate will be updated every year, such as FCC, FDA and ROHS. For the latest certification information, please check with Eoptolink.

## Product Description

The EOLP-BI1696-16XXX series single mode transceiver is small form factor pluggable module for duplex optical data communications such as 10GBASE-LR/LW defined by IEEE 802.3ae. It is with the SFP+ 20-pin connector to allow hot plug capability.

The EOLP-BI1696-16ADL module is designed for single mode fiber and operates at a nominal wavelength of 1270nm; EOLP-BI1696-16DAL module is designed for single mode fiber and operates at a nominal wavelength of 1330nm. The transmitter section uses a multiple quantum well DFB, which is class 1 laser compliant according to International Safety Standard IEC-60825.

The receiver section uses an integrated InGaAs detector preamplifier (IDP) mounted in an optical header and a limiting post-amplifier IC.

## Absolute Maximum Ratings<sup>\*Note3</sup>

Parameter	Symbol	Min.	Max.	Unit
Storage Temperature	$T_s$	-40	+85	°C
Supply Voltage	$V_{CC}$	-0.5	3.6	V

\*Note3: Exceeding any one of these values may destroy the device permanently.

## Recommended Operating Conditions

Parameter	Symbol	Min.	Typical	Max.	Unit
Power Supply Voltage	$V_{CC}$	3.15	3.3	3.45	V
Power Supply Current	$I_{CC}$			430	mA
Surge Current	$I_{Surge}$			+30	mA

Operating Case Temperature	T <sub>c</sub>	EOLP-BI1696-16XXL	0	70	°C
		EOLP-BI1696-16XXIL	-40	85	°C
Baud Rate		0.6	10.3125	11.3	GBaud

## Performance Specifications - Electrical

Parameter	Symbol	Min.	Typ.	Max	Unit	Notes
<b>Transmitter</b>						
CML Inputs(Differential)	V <sub>in</sub>	150		1200	mVpp	AC coupled inputs
Input Impedance (Differential)	Z <sub>in</sub>	85	100	115	ohms	R <sub>in</sub> > 100 kohms @ DC
Tx_DISABLE Input Voltage - High		2		V <sub>cc</sub> +0.3	V	
Tx_DISABLE Input Voltage - Low		0		0.8	V	
Tx_FAULT Output Voltage - High		2		V <sub>cc</sub> +0.3	V	I <sub>o</sub> = 400µA; Host V <sub>cc</sub>
Tx_FAULT Output Voltage - Low		0		0.5	V	I <sub>o</sub> = -4.0mA
<b>Receiver</b>						
CML Outputs (Differential)	V <sub>out</sub>	350		700	mVpp	AC coupled outputs
Output Impedance (Differential)	Z <sub>out</sub>	85	100	115	ohms	
Rx_LOS Output Voltage - High		2		V <sub>cc</sub> +0.3	V	I <sub>o</sub> = 400µA; Host V <sub>cc</sub>
Rx_LOS Output Voltage - Low		0		0.8	V	I <sub>o</sub> = -4.0mA
MOD_DEF ( 2:0 )	V <sub>oH</sub>	2.5			V	With Serial ID
	V <sub>oL</sub>	0		0.5	V	

## Optical and Electrical Characteristics

### (1270nm DFB & PIN/TIA)

Parameter	Symbol	Min.	Typical	Max.	Unit
Power budget		16			dB
Data Rate		0.6	10.3125	11.3	Gbps
<b>Transmitter</b>					
Centre Wavelength	λ <sub>c</sub>	1260	1270	1280	nm
Spectral Width (-20dB)	Δλ			1	nm
Side Mode Suppression Ratio	SMSR	30			dB
Average Output Power <sup>*note4</sup>	P <sub>out,AVG</sub>	1		5	dBm
Extinction Ratio	ER	3.5			dB

Average Power of OFF Transmitter				-30	dBm
Relative Intensity Noise	RIN			-128	dB/Hz
TX Disable Assert Time	t_off			10	us
<b>Receiver</b>					
Centre Wavelength	$\lambda_C$	1320		1340	nm
Sensitivity <sup>*note5</sup>	P <sub>IN</sub>			-15	dBm
Receiver Overload	P <sub>MAX</sub>	0.5			dBm
LOS De-Assert	LOS <sub>D</sub>			-18	dBm
LOS Assert	LOS <sub>A</sub>	-30			dBm

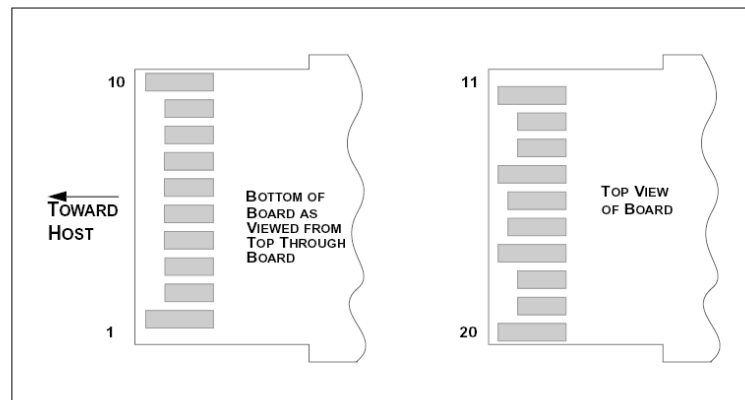
### (1330nm DFB & PIN/TIA)

Parameter	Symbol	Min.	Typical	Max.	Unit
Power budget		16			dB
Data Rate		0.6	10.3125	11.3	Gbps
<b>Transmitter</b>					
Centre Wavelength	$\lambda_C$	1320	1330	1340	nm
Spectral Width (-20dB)	$\Delta\lambda$			1	nm
Side Mode Suppression Ratio	SMSR	30			dB
Average Output Power <sup>*note4</sup>	P <sub>out, AVG</sub>	1		5	dBm
Extinction Ratio	ER	3.5			dB
Average Power of OFF Transmitter				-30	dBm
Relative Intensity Noise	RIN			-128	dB/Hz
TX Disable Assert Time	t_off			10	us
<b>Receiver</b>					
Centre Wavelength	$\lambda_C$	1260		1280	nm
Sensitivity <sup>*note5</sup>	PIN			-15	dBm
Receiver Overload	P <sub>MAX</sub>			0.5	dBm
LOS De-Assert	LOS <sub>D</sub>			-18	dBm
LOS Assert	LOS <sub>A</sub>	-30			dBm

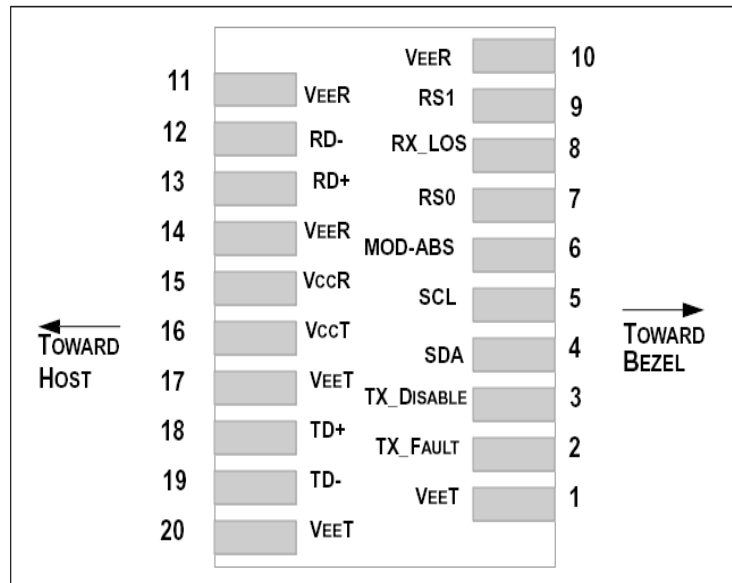
Note4: Output is coupled into a 9/125um SMF.

Note5: Measured with worst ER, BER less than 1E-12 and PRBS 2<sup>31</sup>-1 at 10.3125Gbps.

## SFP+ Transceiver Electrical Pad Layout



## Pin Function Definitions



Pin Num.	Name	FUNCTION	Plug Seq.	Notes
1	VeeT	Transmitter Ground	1	Note 5
2	TX Fault	Transmitter Fault Indication	3	Note 1
3	TX Disable	Transmitter Disable	3	Note 2, Module disables on high or open
4	SDA	Module Definition 2	3	2-wire Serial Interface Data Line.
5	SCL	Module Definition 1	3	2-wire Serial Interface Clock.
6	MOD_ABS	Module Definition 0	3	Note 3
7	RS0	RX Rate Select (LVTTTL).	3	Rate Select 0, optionally controls SFP+ module receiver. This pin is pulled low to VeeT with a >30K resistor..
8	LOS	Loss of Signal	3	Note 4
9	RS1	TX Rate Select (LVTTTL).	1	Rate Select 1, optionally controls SFP+ module transmitter. This pin is pulled low to VeeT with a >30K resistor.
10	VeeR	Receiver Ground	1	Note 5
11	VeeR	Receiver Ground	1	Note 5
12	RD-	Inv. Received Data Out	3	Note 6
13	RD+	Received Data Out	3	Note 6
14	VeeR	Receiver Ground	1	Note 5
15	VccR	Receiver Power	2	3.3 ± 5%, Note 7
16	VccT	Transmitter Power	2	3.3 ± 5%, Note 7
17	VeeT	Transmitter Ground	1	Note 5

18	TD+	Transmit Data In	3	Note 8
19	TD-	Inv. Transmit Data In	3	Note 8
20	VeeT	Transmitter Ground	1	Note 5

### Notes:

1) TX Fault is an open collector/drain output, which should be pulled up with a 4.7K – 10KΩ resistor on the host board. Pull up voltage between 2.0V and  $V_{ccT/R}+0.3V$ . When high, output indicates a laser fault of some kind. Low indicates normal operation. In the low state, the output will be pulled to  $< 0.8V$ .

2) TX disable is an input that is used to shut down the transmitter optical output. It is pulled up within the module with a 4.7K – 10 KΩ resistor. Its states are:

Low (0 – 0.8V): Transmitter on

(>0.8, < 2.0V): Undefined

High (2.0 – 3.465V): Transmitter Disabled

Open: Transmitter Disabled

3) Module Absent, connected to VeeT or VeeR in the module.

4) LOS (Loss of Signal) is an open collector/drain output, which should be pulled up with a 4.7K – 10KΩ resistor. Pull up voltage between 2.0V and  $V_{ccT/R}+0.3V$ . When high, this output indicates the received optical power is below the worst-case receiver sensitivity (as defined by the standard in use). Low indicates normal operation. In the low state, the output will be pulled to  $< 0.8V$ .

5) The module signal ground contacts, VeeR and VeeT, should be isolated from the module case.

6) RD-/+ : These are the differential receiver outputs. They are AC coupled 100Ω differential lines which should be terminated with 100Ω (differential) at the user SERDES. The AC coupling is done inside the module and is thus not required on the host board. The voltage swing on these lines will be between 350 and 700 mV differential (175 –350 mV single ended) when properly terminated.

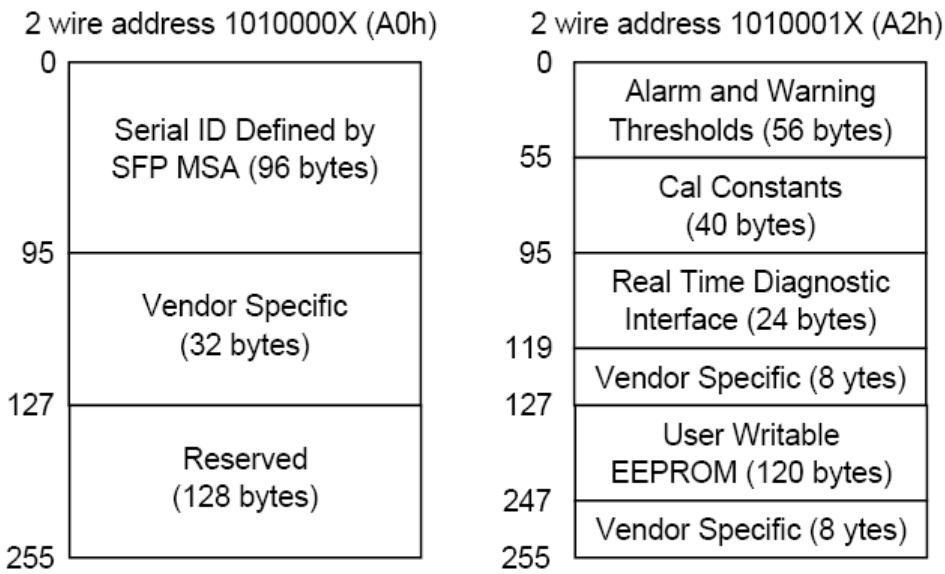
7) VccR and VccT are the receiver and transmitter power supplies. They are defined as 3.3V  $\pm 5\%$  at the SFP+ connector pin. Maximum supply current is 300mA. Recommended host board power supply filtering is shown below. Inductors with DC resistance of less than 1 ohm should be used in order to maintain the required voltage at the SFP+ input pin with 3.3V supply voltage. When the recommended supply-filtering network is used, hot plugging of the SFP+ transceiver module will result in an inrush current of no more than 30mA greater than the steady state value. VccR and VccT may be internally connected within the SFP+ transceiver module.

8) TD-/+ : These are the differential transmitter inputs. They are AC-coupled, differential lines with 100Ω differential termination inside the module. The AC coupling is done inside the module and is thus not required on the host board. The inputs will accept differential swings of 150 – 1200 mV (75 – 600mV single-ended).

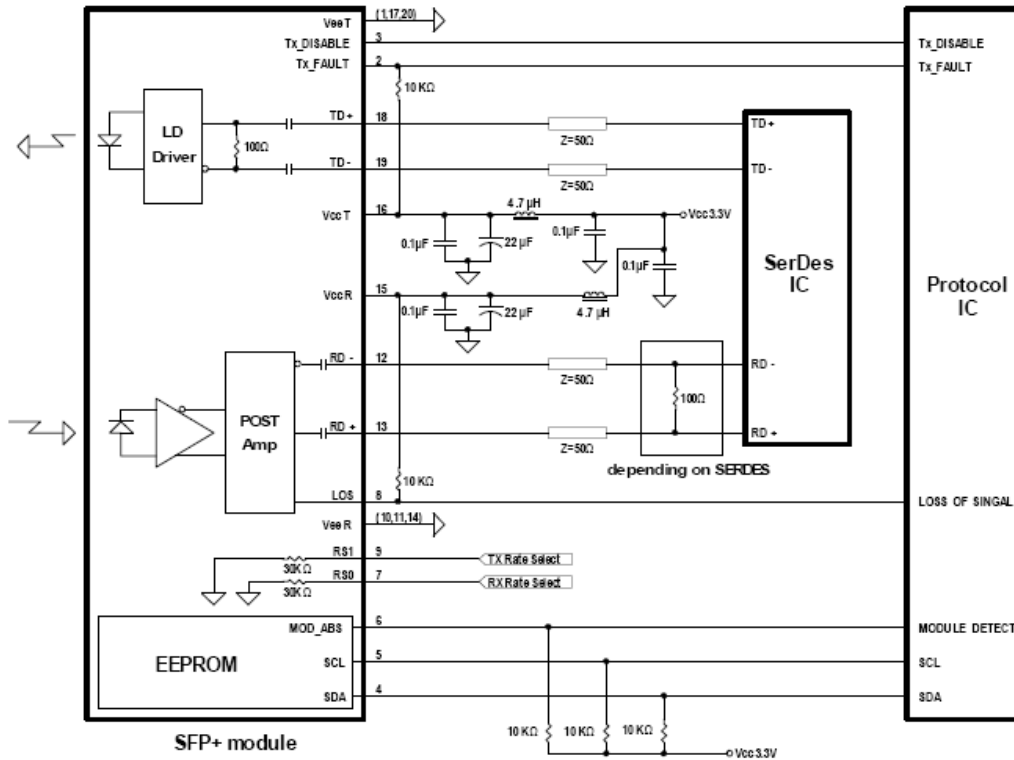
## EEPROM

The serial interface uses the 2-wire serial CMOS EEPROM protocol defined for the ATMEL AT24C02/04 family of components. When the serial protocol is activated, the host generates the serial clock signal (SCL). The positive edge clocks data into those segments of the EEPROM that are not writing protected within the SFP+ transceiver. The negative edge clocks data from the SFP+ transceiver. The serial data signal (SDA) is bi-directional for serial data transfer. The host uses SDA in conjunction with SCL to mark the start and end of serial protocol activation. The memories are organized as a series of 8-bit data words that can be addressed individually or sequentially.

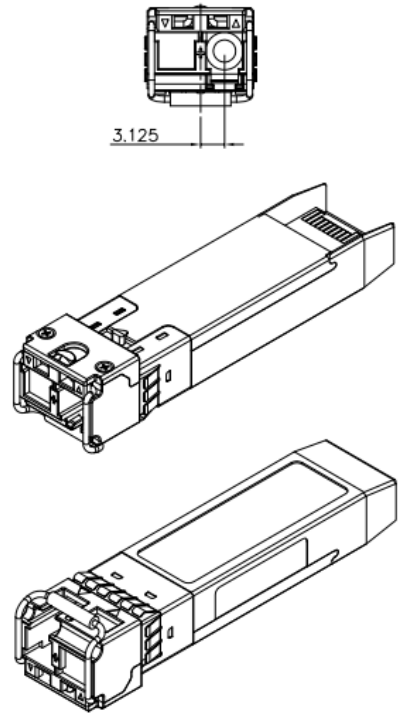
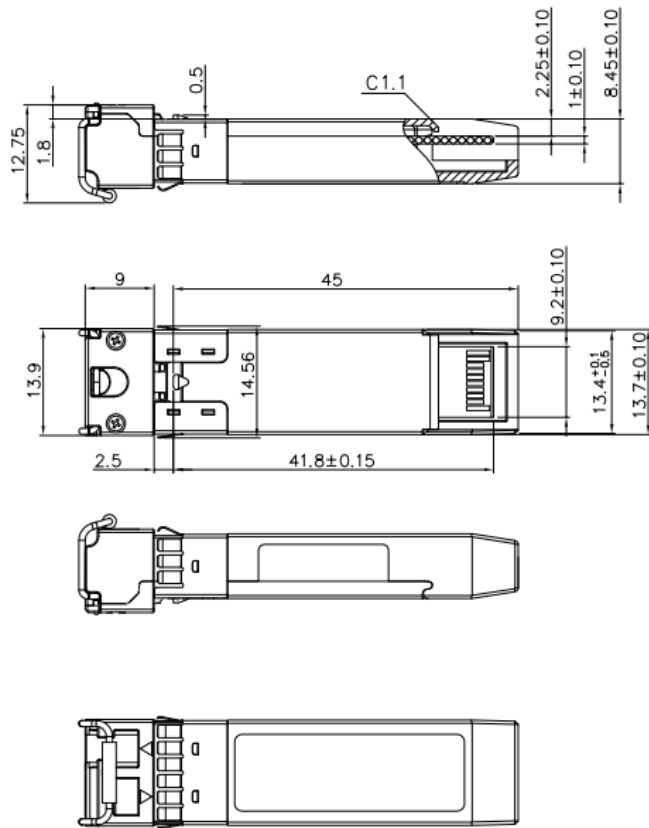
The Module provides diagnostic information about the present operating conditions. The transceiver generates this diagnostic data by digitization of internal analog signals. Calibration and alarm/warning threshold data is written during device manufacture. Received power monitoring, transmitted power monitoring, bias current monitoring, supply voltage monitoring and temperature monitoring all are implemented. If the module is defined as external calibrated, the diagnostic data are raw A/D values and must be converted to real world units using calibration constants stored in EEPROM locations 56 – 95 at wire serial bus address A2h. The digital diagnostic memory map specific data field define as following .For detail EEPROM information, please refer to the related document of SFF 8472 Rev 10.2.



Recommend Circuit Schematic



Mechanical Specifications



Unremarked tolerances ±0.2mm



## Eye Safety

This single-mode transceiver is a Class 1 laser product. It complies with IEC-60825 and FDA 21 CFR 1040.10 and 1040.11. The transceiver must be operated within the specified temperature and voltage limits. The optical ports of the module shall be terminated with an optical connector or with a dust plug.

## Obtaining Document

You can visit our website:

<http://www.eoptolink.com>

Or contact Eoptolink Technology Inc., Ltd. listed at the end of the documentation to get the latest document.

## Revision History

Revision	Initiated	Reviewed	Approved	DCN	Release Date
V1.a	Kelly	Phlio, Alex		Released.	Dec 3, 2009
V1.b	Kelly			Update PN & LOGO.	May 16, 2011
V1.c	Kelly			Add LC info. In PN.	June 8, 2011
V2.0	Alex/ Townie	Kelly		Update part name	Aug 10, 2011
V2.a	Townie	Kelly		Add power dissipation.	Aug 23, 2011
V2.b	Kelly			Update power dissipation.	Sep 6, 2011
V2.c	Angela	Kelly		Update pin definition notes	Jan 31, 2013
V2.d	Angela	Fing		Change the case temperature range from -10~85°C to -40~85°C and update the regulatory compliance.	Dec 17,2014
V2.e	Angela	Fing/Kelly		Update the max data rate.	Jan 28,2015
V2.f	Angela	Vina		Update the mechanical spec. and picture.	Feb 03,2015
V2.g	Angela	Fing/Kelly/ Vina		Delete the TDP and update the tolerances of 2D drawing.	April 14,2015

## Notice:

Eoptolink reserves the right to make changes to or discontinue any optical link product or service identified in this publication, without notice, in order to improve design and/or performance. Applications that are described herein for any of the optical link products are for illustrative purposes only. Eoptolink makes no representation or warranty that such applications will be suitable for the specified use without further testing or modification.

### Contact:

Add: Floor 5 Building 2 No. 21 Gaopeng Avenue High-Tech District CHENGDU, SICHUAN 610041  
P.R. CHINA

Tel: (+86) 028-85122709 ext 808 & 809

Fax: (+86) 028-85121912

Postal: 610041

E-mail: [sales@eoptolink.com](mailto:sales@eoptolink.com)

<http://www.eoptolink.com>

EOPtOLINK